

Installation and Operating Instructions

RLV-120S-C

COOLING ONLY

PSG Controls, Inc.
Digital Non Programmable Line Voltage

General Information:

This thermostat is designed to operate line voltage electric resistance type cooling.

A precision thermistor is employed to sense temperature. The thermistor resistance is read by a microprocessor to determine if there is a need for cooling. If cooling is required, the microprocessor turns on the cooling device. Once the need for cooling is satisfied, the thermistor senses the change in temperature and causes the microprocessor to turn off the cooling device. The microprocessor will keep the cooling device on for at least two minutes before allowing a temperature change to turn it off again. As a result of using this method of temperature control, the thermostat can provide greater comfort and energy savings. To obtain even greater energy savings, this model can be easily placed into an economy/setback mode.

SPECIFICATIONS:

Temperature Range: 40.0°F to 85.0°F (4.4°C to 29.4°C)

Display Format: Liquid Crystal Display (LCD)

Sampling Rate: Every second

Accuracy: ±1.0°F

Power Source: 102VAC - 132VAC, 50 - 60Hz

Load: 16 amps resistive or 1/2 horsepower

Installation:

This device should be installed and serviced by a qualified electrician. The thermostat has been designed to mount to a standard 2" X 4" electrical outlet box. Leveling of the thermostat is not required. Mounting screws are provided. Mount the thermostat about five feet above the floor in an area with good air circulation.

Avoid mounting the thermostat where it will be affected by drafts, air from ducts, and radiant heat sources such as appliances or the sun.

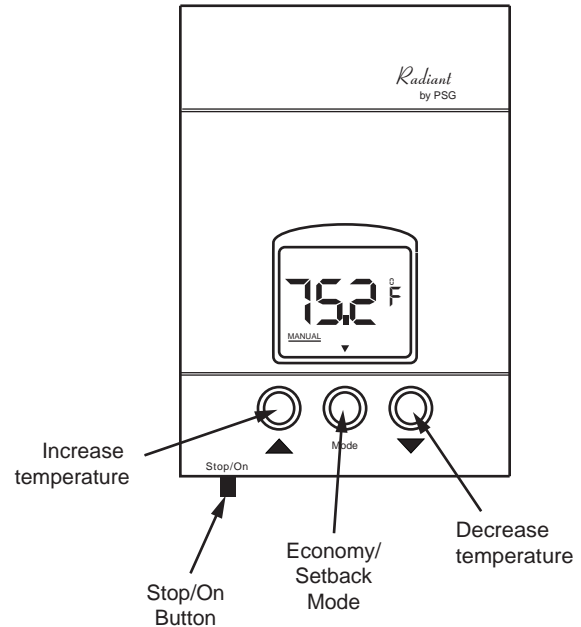
CAUTION:

“Stop” should not be used as a disconnect from power to the cooling unit. If the thermostat or cooling unit needs servicing, it must be disconnected at the source. This device should only be serviced by a qualified electrician.

SAFETY FEATURES / ERROR MESSAGES:

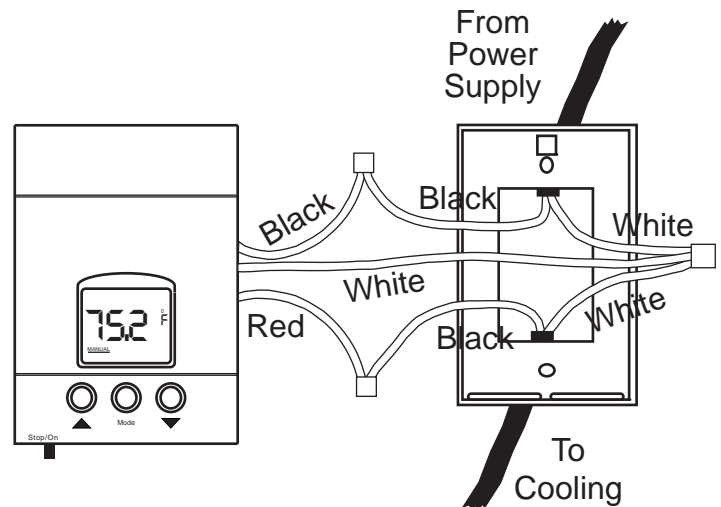
This RLV thermostat can detect several internal errors and can shut down safely and properly in the event one of these errors.

If the display shows “Ur” or “Or” there is thermistor error. When the thermistor returns to normal, the thermostat will continue to function. If the thermistor does not return to normal, the thermostat will be inoperable. If a severe internal error occurs the display will show “dEAd” and will be permanently inoperable. If a less severe error occurs the display will show “EOL”.



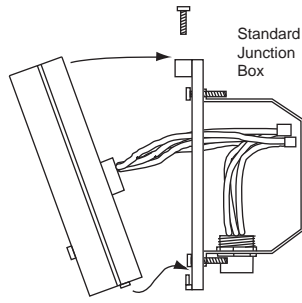
Installation:

- Read "General Information" before beginning.
- **Turn electrical power "OFF" where installation is being done!!**
- Screw thermostat mounting plate to outlet box.

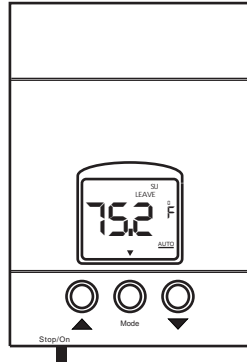


- Attach wires per diagram above.
 Note:
 Provide proper wire size and overload protection to meet code and safety requirements.
 Insure proper line voltage for model being installed (102VAC to 132VAC).
- Push excess wires into outlet box.
- Insert groove on bottom of thermostat into lip on bottom of mounting plate (Refer to figure next page).
- Tilt thermostat up and flat against mounting plate. Drive holding screw into top of thermostat.
- Installation is now complete.
- Power can now be turned on.

Mounting Detail



Adjusting Comfort Setpoint: (For Installation Test)



- Press up arrow button to increase temperature
- Press down arrow button to decrease temperature
- Thermostat will automatically return to room temperature display within 30 seconds
- Cooling will become active if new setpoint is below room temperature. Cool icon (❄️) will indicate that the thermostat is calling for cooling.

How to program cooling limit:

The cooling limit is the minimum room temperature the thermostat will allow even if the setpoint is lower.
Programmable Range: 40.0°F to 85.0°F (4.5°C to 29.5°C)

The programming mode has a time limit of 5 minutes. The timer is automatically activated on initiation of the programming mode. At the end of 5 minutes the thermostat will resume normal operation.

To enter the programming mode:

- **Slide** the STOP/ON switch to the STOP position.
- **Press** and hold the up arrow button and programming mode button for 5 seconds. 00 will appear on the display.
- **Press** the up arrow button to access code **21**.
- **Press** the mode button. The default temperature of 40.0°F (4.5°C) will appear on the display.
- **Press** either the up or down arrow button to reach the desired temperature.
- **Press** the mode button to complete.
- **Slide** the STOP/ON switch back to the ON position to resume normal operation.

User Note: The top of this unit will become warm to the touch. This is a normal operation. Internal heating is employed to continuously convect air through the thermostat, thereby improving room air temperature measurement.

How to set economy setpoint limit:

- **Press** mode button. ECON will appear on the display. The display will then flash room temperature and ECON.
- **Press** the up arrow button. MANUAL and the default temperature 62.0°F (16.5°C) will appear on the display.
- **Press** either the up or down arrow button to reach the desired temperature. Temperature range: 40°F to 85°F (4.5°C to 29.5°C)
- **Press** the mode button to complete.

To enter economy setpoint mode:

- **Press** mode button. The display will flash room temperature and ECON.

To exit economy setpoint mode and enter comfort setpoint mode:

- **Press** mode button. The display will show only room temperature.

How to change from °F to °C:

- **Press** and hold the mode and down arrow buttons. The display will change to °C from the default of °F. To change back, simply press and hold the buttons again.

Memory Retention:

When the power goes off the current parameters will be saved and then restored when power returns.

PSG Controls, Inc. LIMITED WARRANTY POLICY

PSG Controls, Inc. (Hereinafter referred to as "PSG") warrants the following: Only cataloged products sold to distributors are warranted to the original purchaser, to conform with specifications furnished or approved by PSG, and to be free from defects in material and workmanship, for a period of one (1) year from the date of purchase, unless specified in writing for a different period.

Any PSG product that proves defective within the above described warranty period will be repaired or replaced (at PSG's option) free of any charge if returned to the PSG factory at 1225 Tunnel Road, Perkasie, PA. 18944 with transportation charges prepaid. Prior to returning this product to PSG, the purchaser shall give PSG notice in writing stating how this product fails to fulfill this warranty. No product shall be accepted for repair or replacement without a required written notice and without prior written authorization and shipping instructions having been received by the purchaser from PSG. Only PSG's factory is authorized to perform services under this warranty.

This warranty does not extend to any product that has been subjected to misuse, abuse, neglect, accidents, alterations, improper installation or use in violation of the printed instructions furnished by PSG. This warranty neither applies to batteries nor deterioration of, nor damage to the product caused by the use of faulty batteries. Final determination as to whether any product is actually defective rests solely with PSG.

This warranty is expressly in lieu of all other agreements and warranties, expressed, implied, or statutory and PSG has no other obligations or liabilities in connection with this product. In no event shall PSG's obligation or liability hereunder exceed the purchase price of this product. PSG SHALL NOT IN ANY EVENT BE LIABLE FOR ANY INCIDENTAL OR CONSEQUENTIAL DAMAGES. This warranty gives you specific legal rights, and you also have other rights which vary from state to state. Some states do not allow the exclusion or limitation of incidental or consequential damages, or implied warranties, so the above limitations or exclusion may not apply to you.

Toll free technical assistance is available
via our technical hotline: 1-800-523-2558
Mon-Fri, 8:00 A.M. to 4:30 P.M. Eastern Standard Time



1225 Tunnel Road - Perkasie, PA 18944 - 215-257-3621 - Fax 215-257-4288
Web site - www.psgcontrols.com E-mail - sales@psgcontrols.com