

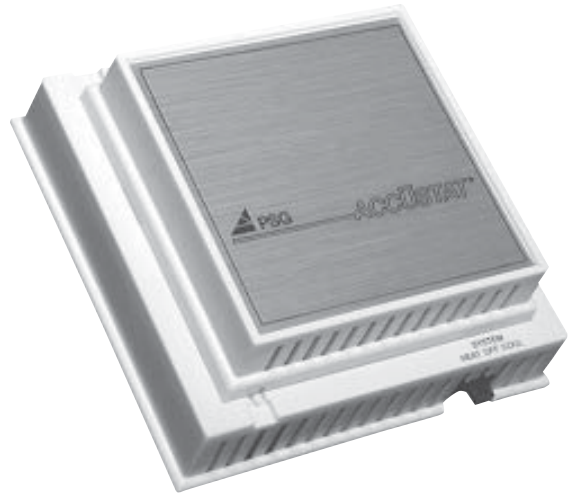
ACCUSTAT® Low Voltage Single Stage Energy Controls

Description:

High efficiency solid state thermostats for low voltage single stage systems. No bimetallic elements are used. Advantages include choice of either preset or adjustable mercury sensors, high accuracy, no temperature drift and tamper-proof design. Built-in locking cover requires a special key. No leveling or anticipator adjustments are required. Wiring and terminal identification complies with industry standards.

Application:

Ideal for commercial and industrial installations where accurate, tamper-proof controls is required. Examples include: Fast Food Stores; Restaurants; Churches; Schools; retail Stores; etc.



Features:

Locking Case - Requires special key to open (provided with each control)

Easy to Install - Same wiring as the bi-metal thermostat

Tamper Resistant - Temperature settings cannot be adjusted when preset sensor is used.

Precise Temperature Control - No leveling and no anticipators to adjust.

Specifications:

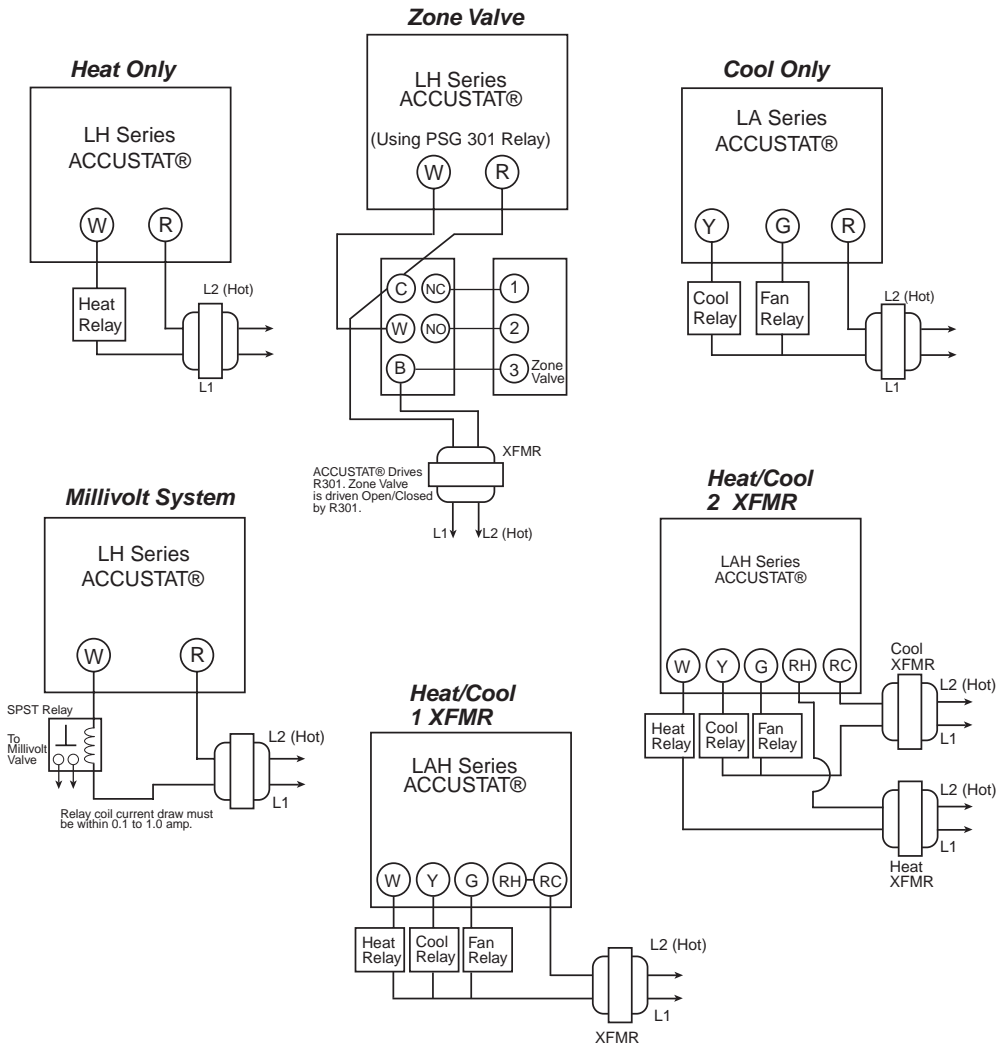
Voltage:	18-26 VAC
Sensing:	Preset or Adjustable Sensors
Rating:	1.2 Amps per stage
Stages:	Single Stage
Temp. Adjustable:	High or Low (see model)
Differential:	Approx. 2° F depending on air flow
Case:	Plastic, White
Locking Case:	Special Key Required
Wire Connection:	Screw Terminal
Dimensions:	4.6Wx4.6Hx1.5D

Model	Function/ Stages	Sensors Required	System Switches	Fan Switch	Terminals
LA-1	CL only	1	On/Off	Auto/On	R, Y, G
LA-2	CL only	2	On/Off; Hi/Lo	Auto/On	R, Y, G
LH-1	HT only	1	On/Off		R, W
LH-2	HT only	2	On/Off; Hi/Lo		R, W
LAH-11	CL/HT	2	HT/Off/CL	Auto/On	RH, RC, W, Y, G
LAH-11E	CL/EI. HT	2	HT/Off/CL	Auto/On	RH, RC, W, Y, G
LMS-AH11	CL/HT	2	HT/Auto/CL; On/ Off	Auto/On	RH, RC, W, Y, G
LAH-22	CL/HT	4	HT/Off/CL; Hi/Lo	Auto/On	RH, RC, W, Y, G
LAH-22E	CL/EI. HT	4	HT/Off/CL; Hi/Lo	Auto/On	RH, RC, W, Y, G


PSG Controls, Inc.
 Setting New Standards in Temperature Controls

P.O. Box 157 - Perkasie, PA 18944 - 215-257-3621 - Fax 215-257-4288
 Web site: www.psgcontrols.com - E-mail: sales@psgcontrols.com

Wiring:



Engineering Specifications:

Thermostats shall be low voltage heating and/ or cooling type with snap-in preset or adjustable sensors. The electrical rating shall be .1 Amp min. to 1 Amp max. at 24-30 VAC. Sensor shall be hermetically sealed and activated by mercury column contacting internal platinum electrodes. Case shall be molded plastic and have integral locking cover.

Warranty:

PSG controls carry a "limited 1 year warranty" against defects in workmanship and materials (contact PSG for full warranty policy).

Customer Service 1-800-782-8412

